



Qualität
mit Brief und Siegel.
Wir sind zertifiziert.
ISO 9001



DELTOID

Waste disposal with a system

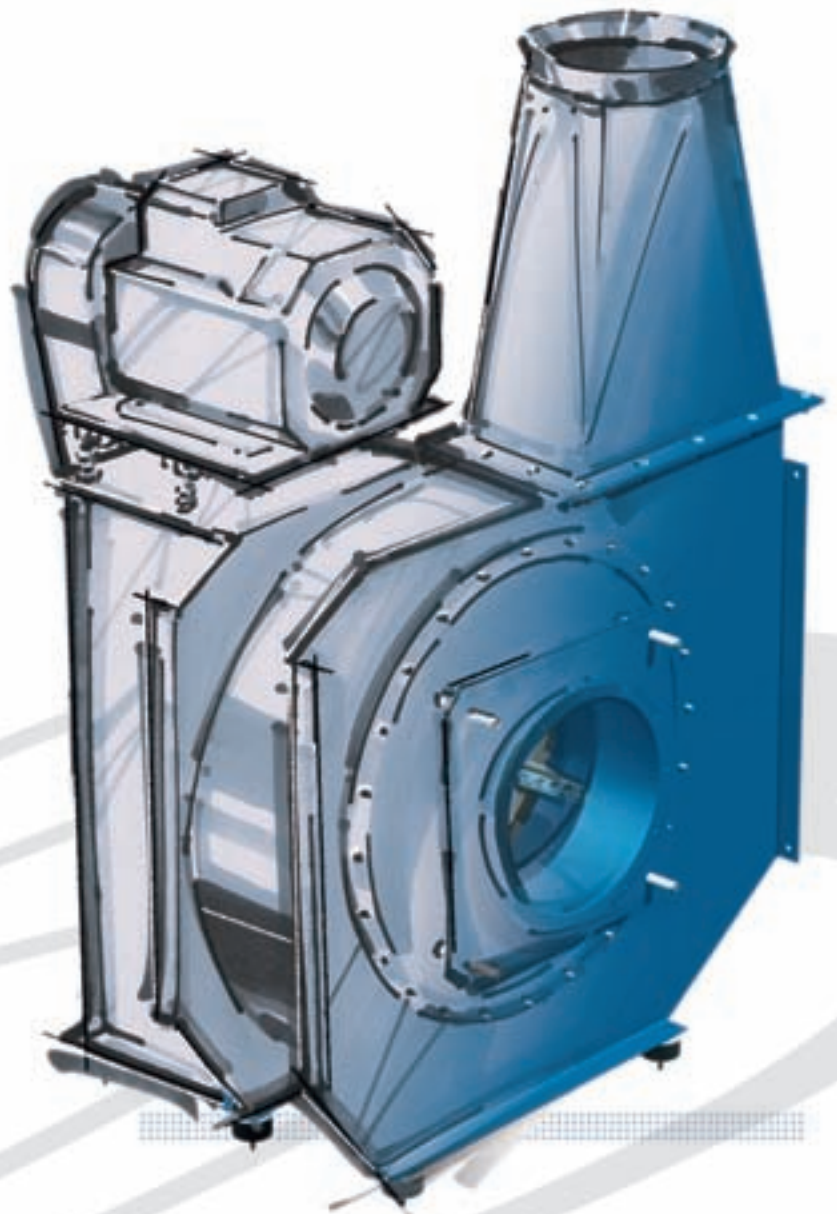
The chopper fan from the ZV series

The suction, shredding and pneumatic transportation of production waste are the most important functions of a unit for the recycling of production waste. Deltoid offers the chopper fan for the solution of this task. It satisfies the requirements of the most diverse sectors due to its robust construction.

Some of the typical areas of application

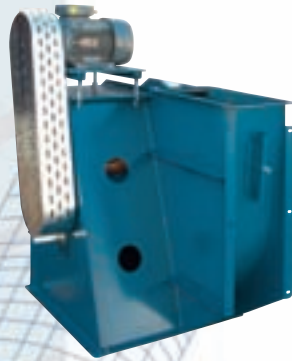
- Edge trim exhaust on winders for
 - Paper/cardboard
 - Plastic films
 - Aluminium foil
 - Composite materials
- Lead frames and scrap suction in the production of drink cans and tin cans
- Stamping waste and lead frames in the cardboard packaging industry
- Edge trimming of insulation materials (glass wool and/or mineral wool)

Through precise processing, the high lifetime and high efficiency of up to 60% which is linked to the processing, the chopper fan contributes fundamentally to the increase of economic efficiency and the reduction of operating costs of your company.



Technical information

The chopper fan from the ZV series



The main components of the chopper fan:

The impeller wheel

The open radial impeller wheel is equipped with interchangeable blades made from high-alloyed tool steel with special profiles and is produced with the most up-to-date laser technology. Reliable crushing and a long service life are therefore guaranteed.

Fan inlet on the suction side

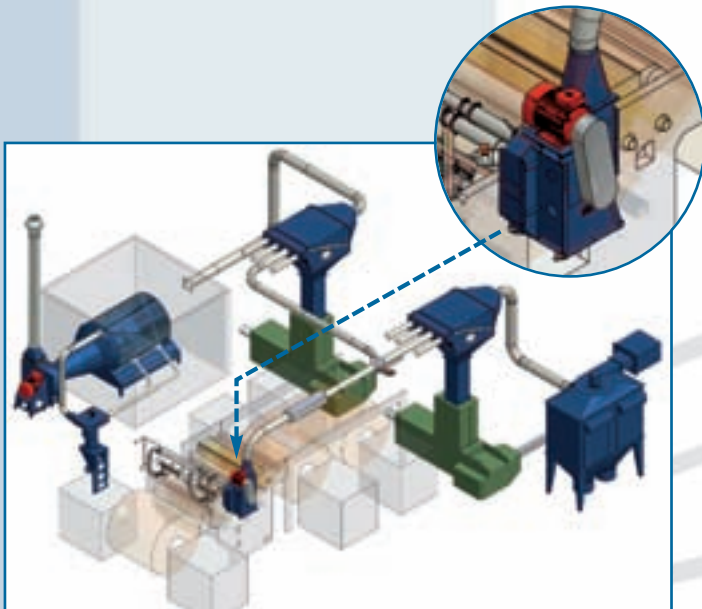
The fan is equipped with adjustable suction nozzles for the classic problems. Thereby the crushing of production waste of different natures is ensured.

Drive unit

The drive unit of the fan in the form of a belt drive has dimensions such that it can readily withstand vibrations which are caused by the flow of the material. The dimensioning of the bearings is based on the same criteria. The whole construction is characterised by its great stability.

The advantages of the chopper fan at a glance

- Higher efficiency
- Low driving power
- Wide range of uses due to its robust structure
- High economic efficiency due to the return of waste into the production process
- High lifetimes
- High availability
- Easy to maintain



DELTOID GmbH

Dekkers Waide 7
46419 Isselburg (Germany)

Fon: +49 28 74 / 9 00 86 - 0
Fax: +49 28 74 / 9 00 86 - 29

E-mail: info@deltoid-lufttechnik.com
www.deltoid-lufttechnik.de