



***Deltoid systems engineering
for maximum economic
efficiency, operational and
working safety***

- The baling press from the SPK series is a modular component with which maximum economic efficiency is achieved in production lines.
- By visualisation of all waste products, the unit can be integrated into production lines and maintained via a modem.
- Each machine can be operated by hand or fully automatically.
- Reduction of manual workload
- Avoidance of long setup times
- Reduction of maintenance

Qualität
mit Brief und Siegel.
Wir sind zertifiziert.
ISO 9001



Waste disposal with a system

The baling press from the SPK series

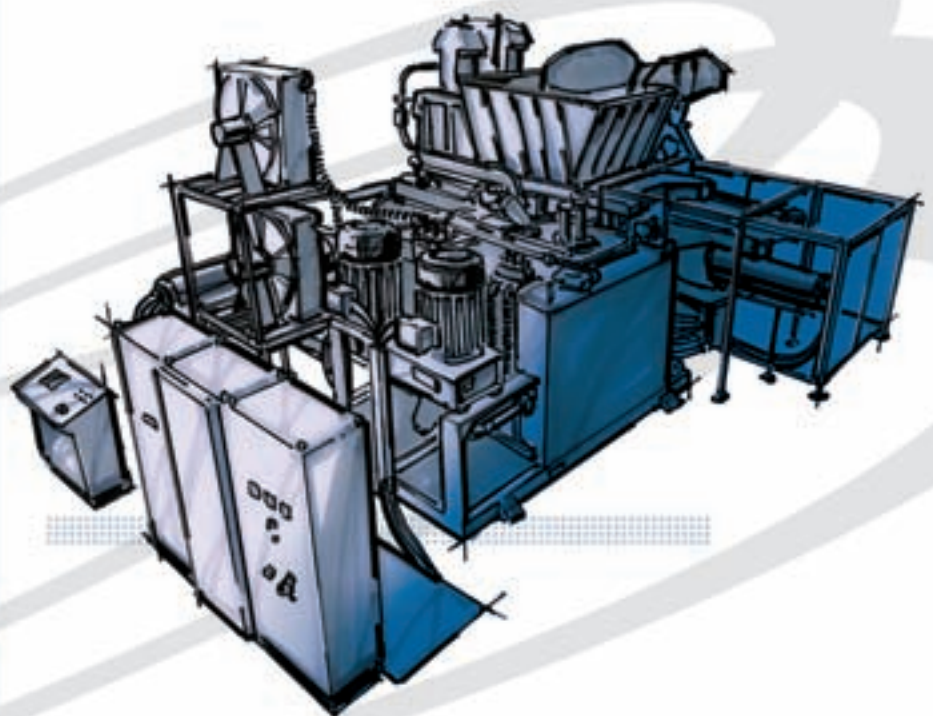
With the baling press from the SPK series, Deltoid offers you an efficient solution for economic compaction and storage of production waste.

Contrary to loose waste products, pressed packets can be more easily loaded and melted down. Since the packets are free of impurities, better prices can be achieved for the recycling material.

By using the baling presses, the expenditure for transportation and storage of the residual material packets can be reduced by up to 30%. The compact cubes formed by pressing are also suitable for small storage areas. The pressed packets can be stored optimally on pallets and loaded with lift trucks.

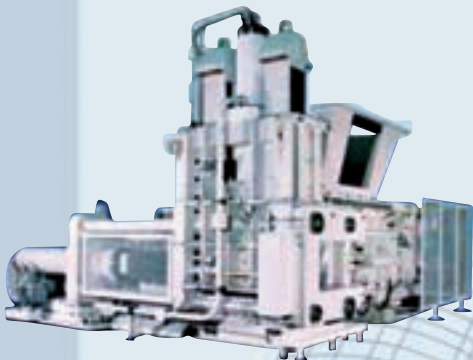
The two and/or three stage baler, with its robust structure as a solid welded construction is designed for heavy duty continuous operation in pressing and stamping operations, for example in the automobile and non-ferrous metal industries. The unit is designed in such a way that it presses the large quantities of production waste into highly compacted, easy to transport packets with a side length of 300 to 400 mm.

Quality and reliability! The Deltoid baling press is designed for maximum availability and optimal energy efficiency.



Technical information

The baling press from the SPK series



The functioning of the baling press

The model programme

In total there are five sizes in the programme, whereby the 100-2 and 150-2 types press in two levels, whilst the 100-3 to 350-3 types compress the material three dimensionally.

The construction

All components of the three stage baler which touch the scrap are coated with high-strength wear plates which have a special undulating profile.

The compressor stages

The baling press from the SPK series can be delivered with 2 or 3 compressor stages.

Pressable materials

- Steel, Stainless steel
- Aluminium (and aluminium foil)
- Brass
- Copper
- Lead
- Body panels from the automobile industry

The advantages of the baling press at a glance

- Systems engineering for maximum economic efficiency because the residual material packets are free from impurities and therefore better prices can be achieved as recycling material.
- Modular systems technology for integration into production lines
- The compactly pressed volume optimises in-plant logistics and storage and reduces expenditure
- Tried and tested systems engineering in a robust structure, manufactured with components which have been tested many times
- Easy return of the stamping waste products into the production cycle



DELTOID GmbH

Dekkers Waide 7
46419 Isselburg (Germany)

Fon: +49 28 74 / 9 00 86 - 0
Fax: +49 28 74 / 9 00 86 - 29

E-mail: info@deltoid-lufttechnik.com
www.deltoid-lufttechnik.de